

# Amadeo T

## X-ray system for taking standing X-rays

### X-ray system for confined spaces for taking thorax and other standing X-rays

The compact design of the Amadeo T allows installation in the tightest of spaces. Simple operation and handling guarantee fast training of the X-ray personnel. The entire system is controlled by our professional acquisition and diagnostic software *dicomPACS®DX-R*.

All images of sitting or standing patients can be taken effortlessly. The X-ray source and the bucky drawer of the grid wall stand can be lowered to the floor. Options such as motorised auto-tracking can optimize work.

Two versions of the Amadeo T X-ray system are available:

- **Amadeo T-DR** with fixed CsI X-ray detectors (43 x 43 cm)
- **Amadeo T-AX** without X-ray detector for operation with CR devices or film cassettes



# System benefits

**Optimal:** for small rooms fully operational even in confined spaces

**Complete:** X-ray images from head to toe – X-ray images of the skull, thorax, pelvis, skeleton and extremities can be taken on a sitting or standing patient.

**Simple:** convenient, problem-free operation thanks to functional design – X-ray tube and Bucky tray can be lowered down to the ground

**Time-saving:** No additional effort required for rotating the detector (when using a 43 x 43 cm detector) – no tedious turning for landscape or portrait shots

**Efficient:** integration into your existing patient management system – patient data at the push of a button

**Excellent:** high-quality X-ray detector based on a caesium iodide (CsI) scintillator – top image quality even at low X-ray doses

**User-friendly:** self-explanatory OR Technology acquisition software *dicomPACS®DX-R* including free special measurement functions

**Fast:** shortly after taking the shot (6 - 8 seconds), the X-ray image is already available for viewing and diagnostic evaluation

**Cleverly designed:** integrated X-ray positioning guide helps choose the perfect positioning for each examination inclusive helpful photos, videos and correct X-rays images

**Accessibility:** integrated diagnostic software offers a worldwide, fast and cost-effective information exchange (via cloud or email)

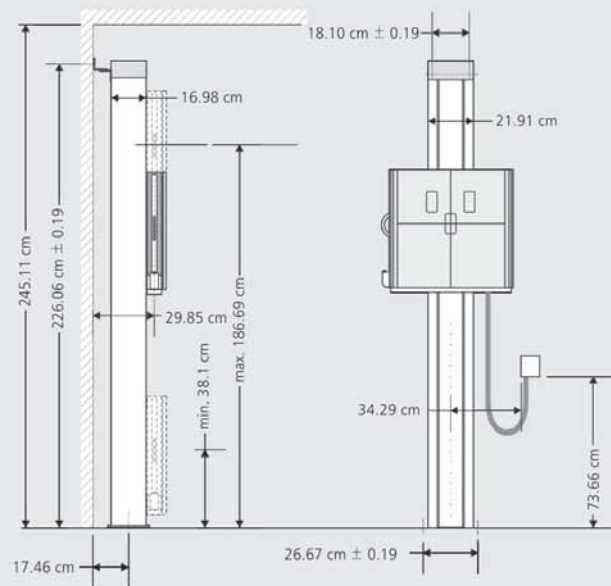
**One of a kind:** safe and quick registration of emergency patients and user-defined macros for recurring examinations, e.g. thorax screenings



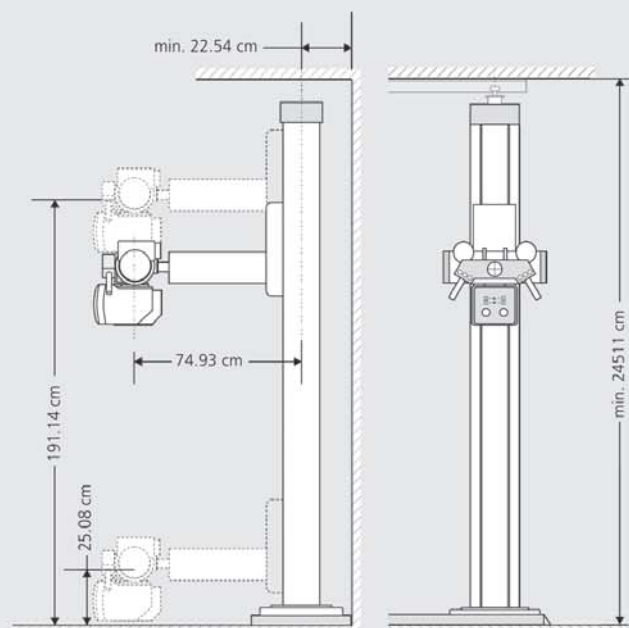


# Measurements

Dimensions of the wall stand



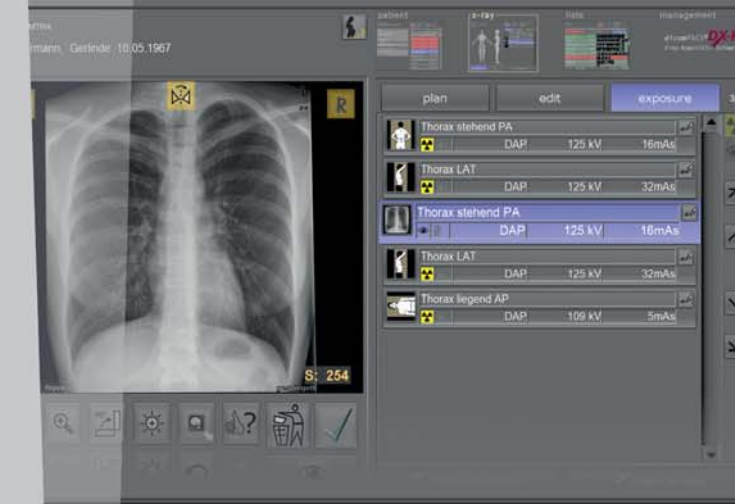
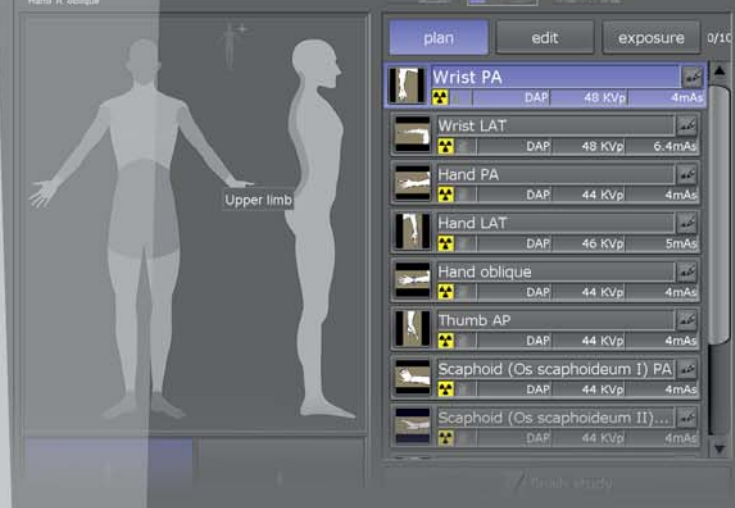
Dimensions of the X-ray tube stand



More information about Amadeo T can be found here: [www.or-technology.com](http://www.or-technology.com)

# Advantages of professional acquisition software

- Modern graphical user interface (GUI) adaptable to almost any language, **touchscreen** operation – to ensure quick and efficient work and a smooth workflow
- Capture patient data via **DICOM Worklist**, **BDT/GDT**, **HL7** or other protocols – data may also be captured manually
- Use **DICOM Procedure Codes** to transfer all relevant examination data directly from the connected patient management system (HIS/RIS)
- Freely configurable** body parts with more than **400 projections** and numerous possible adjustments already included
- Safe and fast **registration of emergency patients** allowing the user to **switch between examinations** of a patient, for instance to avoid having to re-position the patient frequently
- Allows the user to **subsequently add images** to an examination, even after that examination has been completed
- Additional **special functions** including Chiro Tools (diagnostic tools for efficient analyses) and tools assisting with NUCCA examinations
- User-defined macros for recurring examinations**, e.g. thorax screenings
- Fully **integrated radiographic positioning guide** for each examination incl. comprehensive notes, photos, videos and correct X-ray images
- Option to **control** a digital X-ray system **via wireless remote** incl. display of the worklist, preview of the image taken for checking and much more



# Standard components Amadeo T systems

|  | DR system with integrated fixed flat panel<br><b>Amadeo T-DR</b> | System for film/ CR cassettes without generator control<br><b>Amadeo T-AX</b> |
|--|--|---|
| 50 KW HF generator   | ✓  | ✓   |
| <b>Wall stand</b> <ul style="list-style-type: none"> <li>• Height adjustment, with counterweight balance [vertical movement range 149 cm]</li> <li>• Motorised Bucky for oscillating grid</li> <li>• Oscillating grid for FDD 100 – 180 cm</li> <li>• 3-field ionisation chamber (AEC)</li> <li>• Choice of electrical or mechanical brakes</li> <li>• Easy glide system for effortless vertical positioning</li> </ul>  | ✓  | ✓   |
| <b>Tube stand</b> <ul style="list-style-type: none"> <li>• Rail mounted stand with command / tube support arm,</li> <li>• Smooth motion as a result of counterweight balance</li> <li>• Height adjustable with 360° rotation</li> <li>• Movement range: longitudinal 195 cm, lateral 162 cm</li> <li>• Manually adjustable collimator with halogen full field light beam indicator</li> </ul>  | ✓  | ✓   |
| <b>X-ray tube 150 kVp</b><br>Anode revolutions: 2,850 rpm, anode angle: 12°,<br>heat capacity: 300 KHU, focal spot: 0.6 / 1.2 mm,<br>max. KVP: 150 kVp   | ✓  | ✓   |
| CSl flat panel detector 43 cm x 43 cm (17" x 17")  | ✓  | -   |
| <b>Operation by dicomPACS®DX-R acquisition station</b><br>Mini PC with 23" touch screen monitor, 1920 x 1080 Pixel<br>incl. the professional console software dicomPACS®DX-R<br>with modern graphic user interface with generator control,<br>integrated X-ray positioning guide and basic software modules: <ul style="list-style-type: none"> <li>• dicomPACS®DX-R DICOM Send SCU</li> <li>• dicomPACS®DX-R DICOM Patient CD</li> <li>• dicomPACS®DX-R Cognition Optimised Processing</li> </ul> | ✓  | -   |
| Operator control via generator control console   | -  | ✓   |
| <b>Optional components</b>   |  |   |
| • DAP meter (Dose Area Product meter)  | ✓  | ✓   |
| • Upgrade from 50 KW to 65 KW or to 80 KW  | ✓  | ✓   |
| • Wall stand with tilting function   | ✓  | ✓   |
| • Autotracking: Automatic positioning of the X-ray tube when moving the bucky tray   | ✓  | ✓   |

## Specifications subject to revision without notice

The editor strives to impart correct and up to date information. The provided specifications are based on current knowledge and are subject to revision without notice. This brochure is subject to correction. The editor assumes no responsibility for the information being up to date, correct and complete.

All furnished logos, pictures and graphics are property of the particular company and subject to copyright of the licensor. Use, dissemination, distribution or copying of the pictures, logos or text compiled or processed by the editor is subject to our written consent. All rights reserved.

# OR Technology

[www.or-technology.com](http://www.or-technology.com) | X-perts in X-ray



OR Technology (Oehm und Rehbein GmbH), 18057 Rostock, Germany, Neptunallee 7c  
Tel. +49 381 36 600 500, Fax +49 381 36 600 555  
[www.or-technology.com](http://www.or-technology.com), [info@or-technology.com](mailto:info@or-technology.com)

Info hotline: +49 381 36 600 600

