



# Amadeo V

## Full X-ray system for small animals

**The professional solution with patient positioning table and floating tabletop, operated with 380V three-phase AC at 50 kW**

The **Amadeo V** system is specially designed for use in veterinary practices and includes all components and functions necessary for digital X-ray imaging without cassettes – including patient positioning table with floating tabletop, three-phase generator, computer and monitor, as well as the **dicomPACS® DX-R** acquisition and diagnostic software. The **Amadeo V** is available in DR (direct radiography detector system) and conventional CR versions. The **Amadeo V** system is compact and can easily be installed in confined spaces. The X-ray generator is integrated directly into the X-ray table. The system is easy to use and accommodates multiple imaging techniques. The **dicomPACS® DX-R** control console offers all tools necessary for working with the X-ray system.

The **Amadeo V** X-ray systems are available in three versions :

- **Amadeo V-DR** with built-in CsI X-ray detector 17" x 14"  
(active area 43 x 36 cm)
- **Amadeo V-DR** with built-in CsI X-ray detector 17" x 17"  
(active area 43 x 43 cm)
- **Amadeo V-AX** system for film/ CR cassettes



# System benefits

**Cost effective:** affordable state-of-the-art digital X-ray technology

**Comfortable:** floating tabletop with silent brakes – generous movement

**Convenient:** extra effort of transporting cassettes to the imaging plates system is no longer necessary – no waiting times at the unit

**Compact:** X-ray generator is integrated directly into the X-ray table – neither additional cable ducts nor floor space for the generator are needed

**Efficient:** integration into your existing patient management system – patient data at the push of a button

**Excellent:** high-quality X-ray detector based on a caesium iodide (CsI) scintillator – top image quality even at low X-ray doses

**User friendly:** intuitive OR Technology acquisition software (*dicomPACS®DX-R*) including free special measuring functions

**Fast:** Shortly after taking the shot (6 - 8 seconds), the X-ray image is already available for viewing and diagnostic evaluation

**Cleverly designed:** integrated X-ray positioning guide (for examinations of cats and dogs)

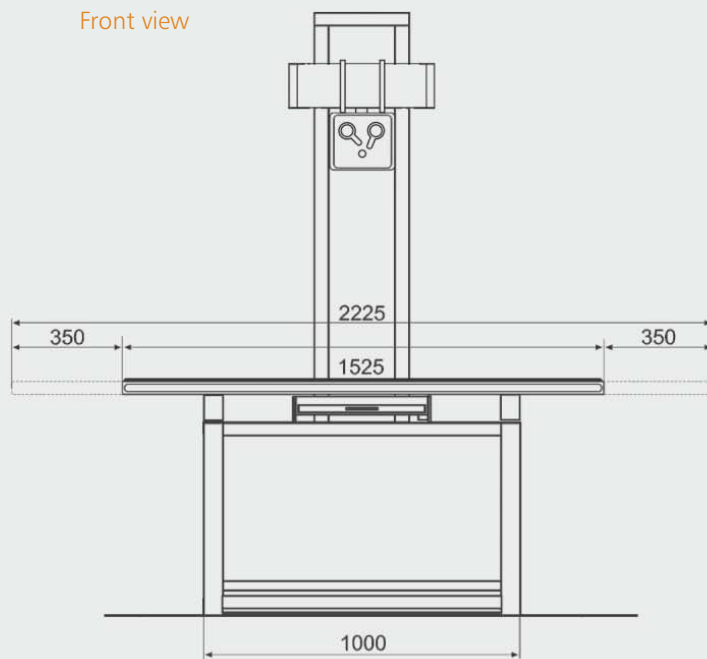
**One of a kind:** Special analysis tools associated with MMP (Modified Maquet Procedure) HD measurements, TTA, TPLO, heart diagnostics, etc. are provided at no extra cost



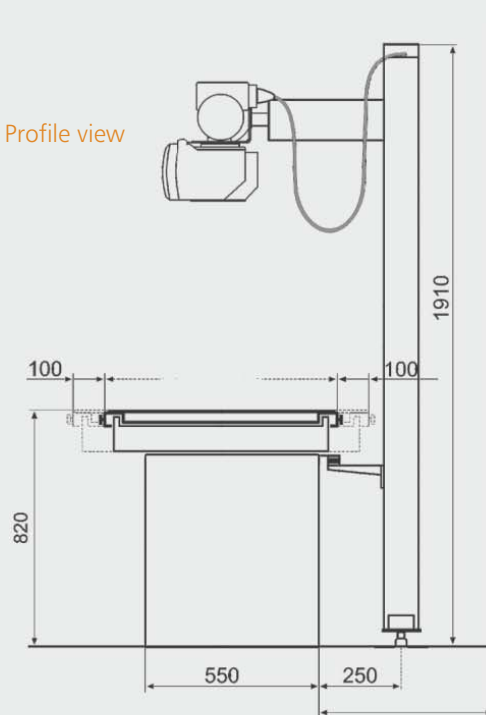


## Measurements

Front view



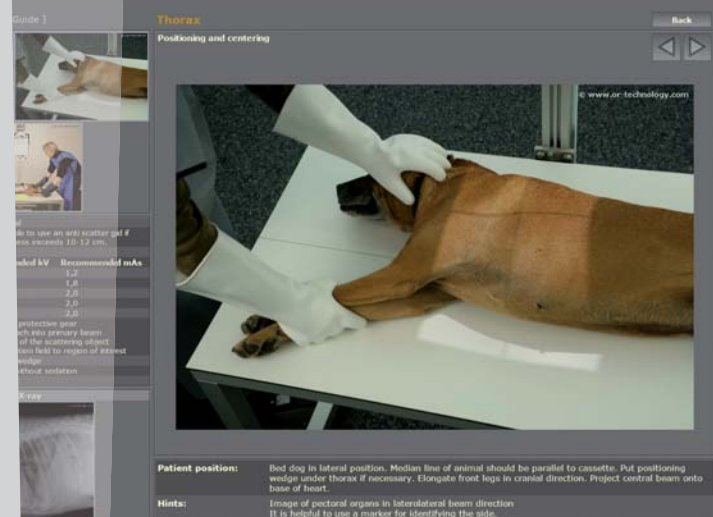
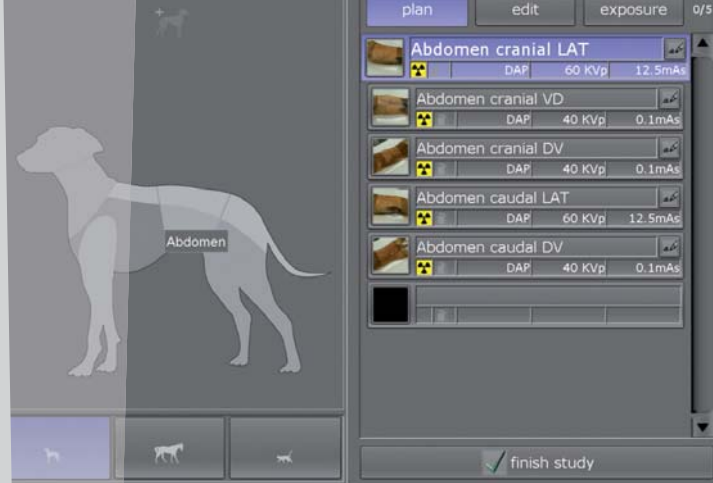
Profile view



More information about  
**Amadeo V** systems  
you can be found here:  
[www.or-technology.com](http://www.or-technology.com)

# Professional acquisition and diagnostic software

- Modern graphical user interface, **touchscreen** operation
- Capture of patient data via **DICOM Worklist, BDT/GDT, HL7** or other protocols – data may also be captured manually
- Use of **DICOM Procedure Codes** for the transfer of all relevant examination data directly from the connected patient management system (HIS/RIS)
- Freely configurable** body parts with more than **200 projections** and numerous possible adjustments
- Safe and fast **registration of emergency patients** allowing the user to **switch between examinations** of a patient, for instance to avoid having to re-position the patient frequently
- Allows the user to **subsequently add images** to an examination, even after that examination has already been completed
- Special tools for veterinary medicine, such as an extra dialog box for patient and owner data, **automatic hip dysplasia measuring (AI-based), MMP, TTA, TPLO and vertebral heart score (Buchanan), special image filters** and much more
- Fully **integrated radiographic positioning guide** for each examination incl. comprehensive notes, photos and correct X-ray images
- Suited for use in dental medicine, e.g. with a digital dental sensor or a dental CR system








# Standard components of the **Amadeo V** systems

## Amadeo V-DR

DR system with integrated fixed dual flat panel

## Amadeo V-AX

System for film/ CR cassettes without generator control

<p>HF generator 32 kW generator output (max 400 mA, 40 - 125 kVp, 0.5 - 500 mAs)</p>		<p>✓</p>	<p>✓</p>
<p>Bucky table</p> <ul style="list-style-type: none"> <li>• Table system with four way floating table top and silent electromechanical brakes</li> <li>• Large table top (152 x 72 cm) with a scratch resistant, dose optimised material</li> <li>• X-ray stand with fixed SID = 100 cm</li> <li>• Collimator with additional shutters. 'Collimator light ON' function operated by brake pedal</li> <li>• Motorised Bucky cabinet for oscillating grid</li> <li>• Removable oscillating grid M (40 L/cm, r 10:1, FFA = 86 - 112 cm)</li> <li>• Stable and durable design of all components</li> <li>• Footswitch, 2-stage, metal</li> </ul>		<p>✓</p>	<p>✓</p>
<p>X-ray tube 125 kVp 1.0 / 2.0 mm or 0.6 / 1.2 mm</p>		<p>✓</p>	<p>✓</p>
<p>Collimator, symmetric with close and far focus lead plates, with halogen or LED lighting, manual operation via the brake panel, extended illumination period (approx. 2.5 min)</p>		<p>✓</p>	<p>✓</p>
<p>Motorised bucky with removable grid</p>		<p>✓</p>	<p>✓</p>
<p>Flat panel detector 35 cm x 43 cm</p> <ul style="list-style-type: none"> <li>• Excellent image quality even on low dosage</li> <li>• Scintillator based on amorphous Silicon (a-Si) with caesium iodide (CsI) - thick version for higher DQE</li> <li>• Active area 43,3 x 35,5 cm (17" x 14")</li> <li>• Pixel pitch 154 µm, Resolution 2,816 x 2,304 Pixel (6,5 million pixel)</li> <li>• Resolution approx. 3.3 lp/mm</li> </ul>		<p>✓</p>	<p>-</p>
<p>Flat panel detector 43 cm x 43 cm</p> <ul style="list-style-type: none"> <li>• Detector based on amorphous Silicon (a-Si) with CsI scintillator</li> <li>• Excellent image quality even on low dosage (high DQE)</li> <li>• Active area 43,2 x 43,2 cm (17,0" x 17,0")</li> <li>• Pixel pitch 100 µm</li> <li>• Resolution 4,320 (h) x 4,320 Pixel (v) (18,5 million pixel)</li> <li>• Resolution approx. 5.0 lp/mm</li> </ul>		<p>✓</p>	<p>-</p>
<p>Operation by <b>dicomPACS® DX-R</b> acquisition station</p> <p>Mini PC with 23" monitor including <b>dicomPACS® DX-R</b> acquisition and diagnostic software with modern graphical user interface including basic software package and integrated X-ray positioning guide provides information on the correct adjustment technique for each examination, including:</p> <ul style="list-style-type: none"> <li>• <b>dicomPACS® DX-R</b> Generator Control</li> <li>• <b>dicomPACS® DX-R</b> DICOM Send SCU inkl. MPPS and Storage Commitment</li> <li>• <b>dicomPACS® DX-R</b> DICOM Worklist SCU + <b>dicomPACS®</b> Connect</li> <li>• <b>dicomPACS® DX-R</b> DICOM Patient CD</li> <li>• <b>dicomPACS® DX-R</b> Cognition Optimised Processing</li> </ul>		<p>✓</p>	<p>-</p>

### Specifications subject to revision without notice

The editor strives to impart correct and up to date information. The provided specifications are based on current knowledge and are subject to revision without notice. This brochure is subject to correction. The editor assumes no responsibility for the information being up to date, correct and complete.

All furnished logos, pictures and graphics are property of the particular company and subject to copyright of the licensor. Use, dissemination, distribution or copying of the pictures, logos or text compiled or processed by the editor is subject to our written consent. All rights reserved.



# OR Technology

[www.or-technology.com](http://www.or-technology.com) | X-perts in X-ray

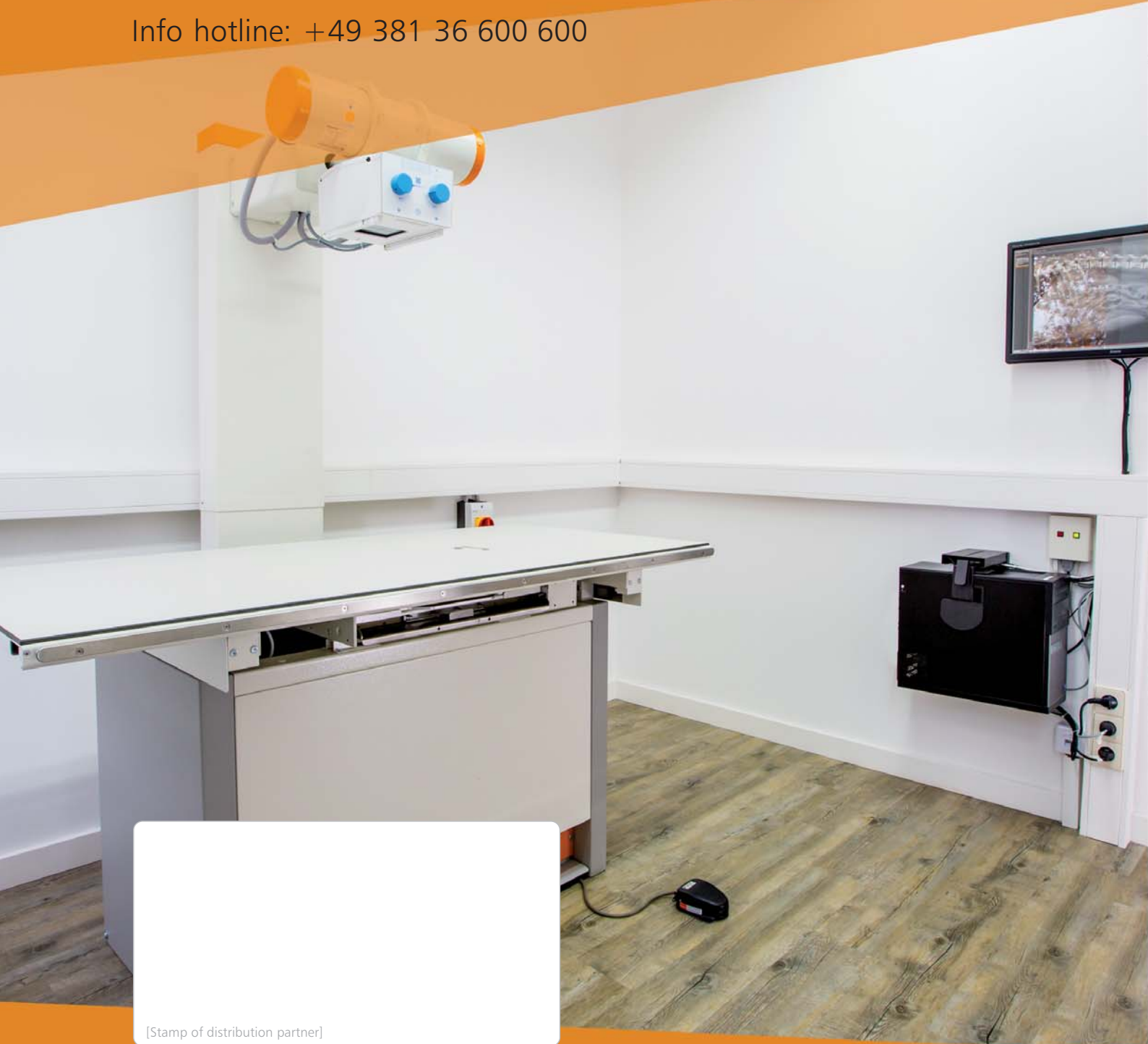


## Headquarters:

OR Technology (Oehm und Rehbein GmbH), 18057 Rostock, Germany, Neptunallee 7c  
Tel. +49 381 36 600 500, Fax +49 381 36 600 555  
[www.or-technology.com](http://www.or-technology.com), [info@or-technology.com](mailto:info@or-technology.com)

OR Technology UK: Celtic SMR Ltd., Frederick House, Hayston View, Johnston  
Haverfordwest, Pembrokeshire SA62 3AQ, United Kingdom  
[www.celticsmr.co.uk](http://www.celticsmr.co.uk), [sales@celticsmr.co.uk](mailto:sales@celticsmr.co.uk)

Info hotline: +49 381 36 600 600



[Stamp of distribution partner]